

### Features

- Quarter-turn washerless ceramic disc valves.
- Vandal-resistant aerator.
- Wristblade handle with red and blue indexing.
- For 8" (203 mm) centers.
- Gooseneck swing/rigid spout with 9 5/16" (237 mm) reach.
- Less drain.
- 1.5 gpm (5.7 lpm) maximum flow rate at 60 psi (4.14 bar).
- Matching finish sidespray with integral diverter.

### Material

- Brass.
- Brass valve bodies.

### Installation

- Four-hole installation.

### Recommended Products/Accessories

K-23723 Faucet cleaner



ADA CSA B651

### Codes/Standards

ASME A112.18.1/CSA B125.1  
NSF/ANSI 61  
NSF/ANSI 372  
All applicable US Federal and State material regulations  
DOE - Energy Policy Act 1992  
California Energy Commission (CEC)  
ADA  
ICC/ANSI A117.1  
CSA B651

### KOHLER® One-Year Limited Warranty

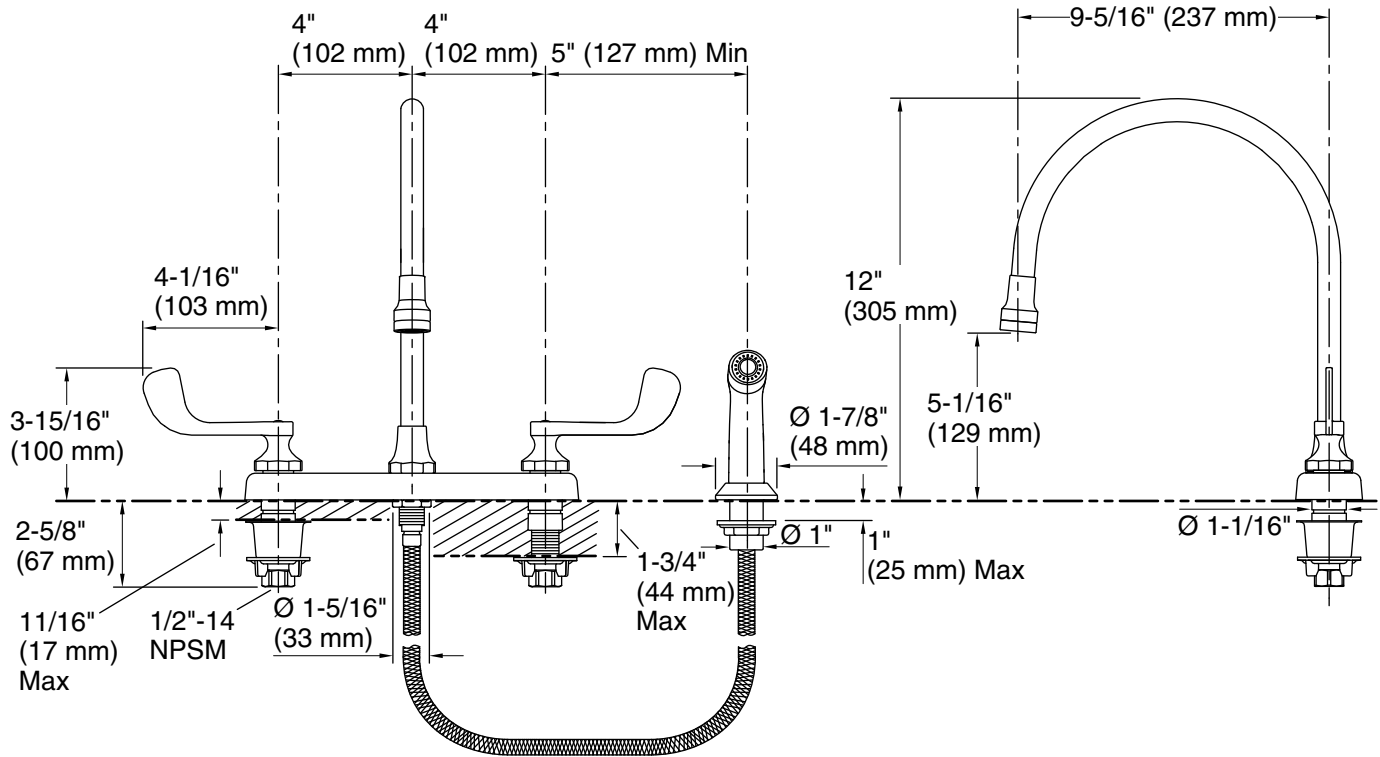
See website for detailed warranty information.

### Available Colors/Finishes

*Color tiles intended for reference only.*

| Color | Code | Description |
|-------|------|-------------|
|-------|------|-------------|

|   |    |                 |
|---|----|-----------------|
|  | CP | Polished Chrome |
|---|----|-----------------|



### Technical Information

All product dimensions are nominal.

### Sidespray:

Flow rate: 1.2 gal/min (4.5 l/min)

Pressure: 60 psi (4.1 bar)

### Spout:

Spout reach: 9-5/16" (236 mm)

### Notes

Install this product according to the installation guide.

Drill the hole for the sidespray a minimum of 5" (127 mm) from the center of the lever handle.

ADA compliant for faucet handles only.

ADA, CSA B651 compliant when installed to the specific requirements of these regulations.